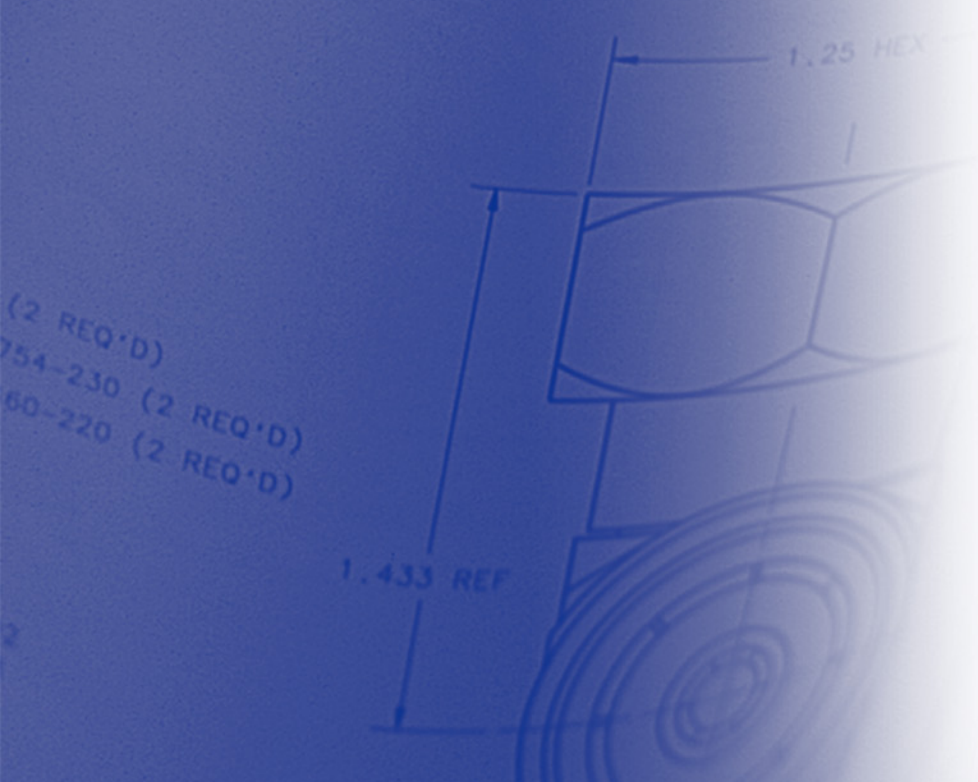




7-16 Series



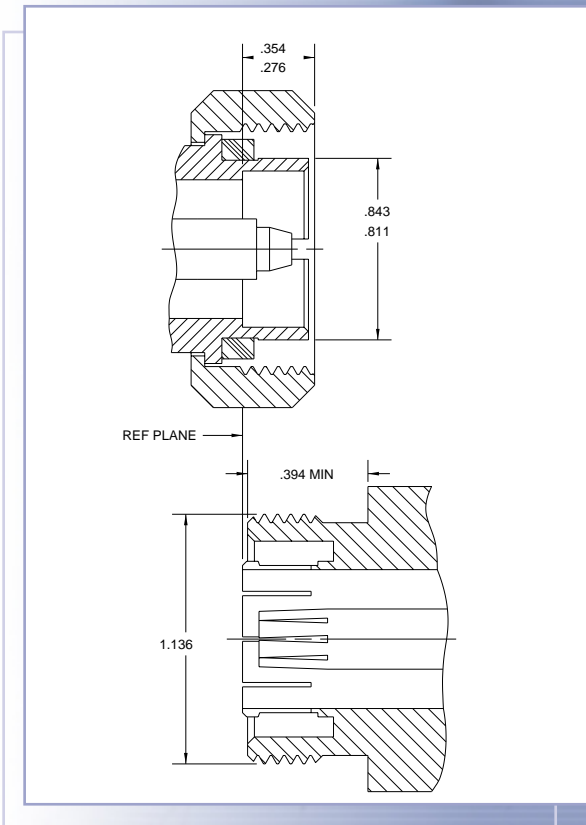
7-16 Series



*The Custom
Interconnect Leader*



The Custom Interconnect Leader



ELECTRICAL

Nominal Impedance: 50 ohms
 Frequency Range: DC to 7 GHz
 Voltage Rating: 2,700 volts rms
 Dielectric Withstanding Voltage: 4,000 volts rms
 Insulation Resistance: 10,000 megohms
 VSWR: 1.30 max DC-7 GHz
 Intermodulation: -155 dBc

MECHANICAL

Mating Characteristics: per IEC 169-4 or DIN 47223 as applicable.
 Connector Durability: 500 cycles min.
 Cable Attachment: Clamp

ENVIRONMENTAL

Temperature Range: -85°F to +329°F (-65°C to +165°C)
 Vibration: MIL-STD-202 Method 204 (Test Cond. B)
 Shock: MIL-STD-202 Method 213 (Test Cond. I)
 Moisture Resistance: MIL-STD-202 Method 106
 Corrosion (salt spray): MIL-STD-202 Method 101 (Test Cond.B)

MATERIAL / FINISHES

Body: Brass, Silver or Nickel Plated
 Contacts (Inner):
 Female: Beryllium Copper, Silver or Gold Plated
 Male: Brass, Silver or Gold Plated
 Contacts (Outer): Brass, Silver or Nickel Plated
 Beryllium, Silver or Nickel
 Contacts (Slotted): Plated
 Insulators: Teflon
 Gaskets & Seals: Silicone Rubber

Features listed are typical and may vary depending upon cable selection and application.

TRU Corporation offers 7-16 Series connectors for high power communications. TRU provides our customers with connectors that meet all their needs for performance, durability and power handling. This catalog contains some of our most popular 7-16 designs. Included are straight, right angle, panel mount and cable attached connector styles, as well as between and in-series adapters and versatile combinations. All models can be modified with your choice of mounting, plating, and cable attachment styles. We specialize in modifications to dimensions and special requirements for power.

For leading-edge engineering and custom product designs, look to TRU. Since 1951, we have been providing our customers with quality and cost effective solutions for all of their interconnect applications. We maintain the highest quality standards and manufacture all our products at our modern facility located in Peabody, Massachusetts. Contact your Customer Service Representative today or visit www.trucorporation.com to see why we are "The Custom Interconnect Leader".

Please note that the products displayed are only a sampling of our designs.

Please note that bold model numbers represent the product as shown.

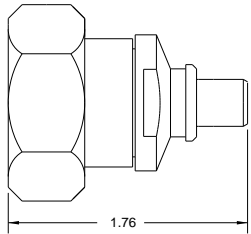
Custom connectors can be manufactured to your own specifications.

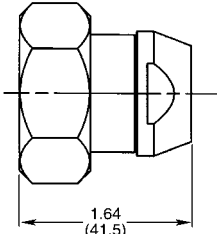


Build Your Own Connector at www.trucorporation.com

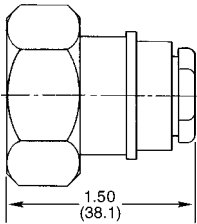


The Custom Interconnect Leader

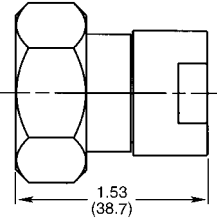
Straight	RG-/U Cable Type	Model
	55B, 142A, 223, 400 8A, 11A, 213	TRU-7654 TRU-7717
	9B, 13A, 87A, 214, 216, 225, 393	TRU-7718

Straight	RG-/U Cable Type	Model
	Rigid Coax. Line (16 mm I.D., 18 mm O.D.)	TRU-6888

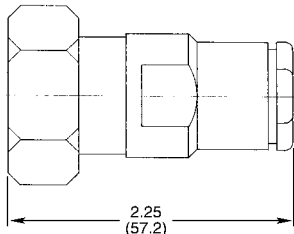
Cable Attachment: Solder

	55B, 58C, 141A, 142A, 223, 400	TRU-7883
	5B, 6A, 143A, 212 8A, 9B, 11A, 13A, 87A, 213, 214, 216, 225 393	TRU-7714 TRU-6498
	Times LMR®-400 402, 0.141 dia. Cu jacket 401, 0.250 dia. Cu jacket	TRU-6680 TRU-7824 TRU-7828 TRU-7715

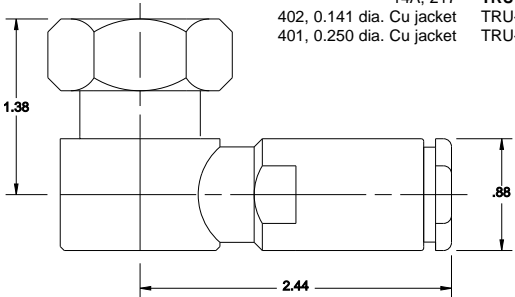
Cable Attachment: Clamp

	Rigid Coax. Line (16 mm I.D., 18 mm O.D.)	TRU-6885

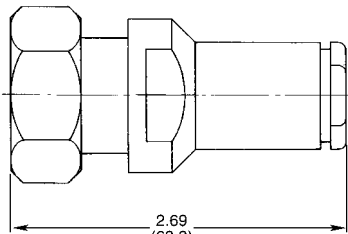
Cable Attachment: Thread-on

	Times LMR®-500 Times LMR®-600	TRU-7609 TRU-6932

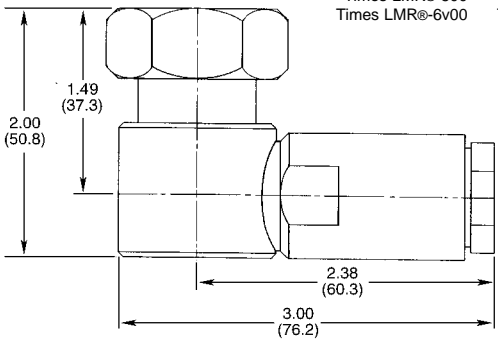
Cable Attachment: Clamp

Right Angle	RG-/U Cable Type	Model
	5B, 6A, 143A, 212 8A, 9B, 11A, 13A, 87A, 213, 214, 216, 225 393	TRU-7720 TRU-7721 TRU-7722
	14A, 217 402, 0.141 dia. Cu jacket 401, 0.250 dia. Cu jacket	TRU-6968 TRU-7830 TRU-7723

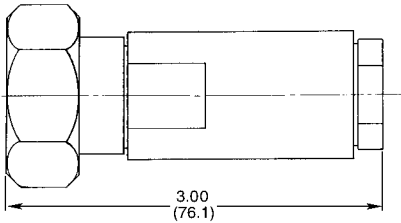
Cable Attachment: Clamp

	14A, 217	TRU-6969

Cable Attachment: Clamp

	Andrew LDF4®-50A Andrew LDF4®-50A Times LMR®-500 Times LMR®-6v00	TRU-7631 TRU-7632 TRU-7741 TRU-7743

Cable Attachment: Clamp

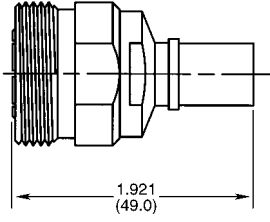
	Andrew LDF4®-50A Andrew LDF5®-50A	TRU-6708 TRU-6781

Cable Attachment: Clamp



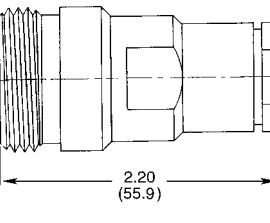
The Custom Interconnect Leader

Straight	RG-/U Cable Type	Model
	55B, 142A, 223, 400	TRU-7731
	8A, 11A, 213	TRU-7729
	9B, 13A, 87A, 214, 216, 225, 393	TRU-7730



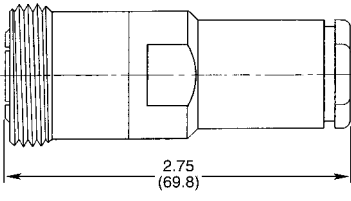
Cable Attachment: Clamp

55B, 58C, 141A, 142A, 223, 400	TRU-7904
Times LMR®-400	TRU-7826
Times LMR®-500	TRU-7610
Times LMR®-600	TRU-6959
402, 0.141 dia. Cu jacket	TRU-7838
402, 0.250 dia. Cu jacket	TRU-7727



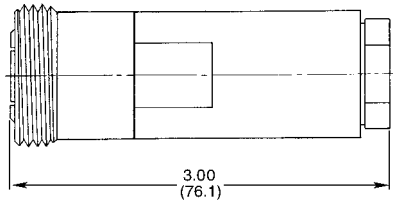
Cable Attachment: Clamp

5B, 6A, 143A, 212	TRU-7725
8A, 9B, 11A, 13A, 87A, 213, 214, 216, 225	TRU-6962
393	TRU-7726
14A, 217	TRU-7695



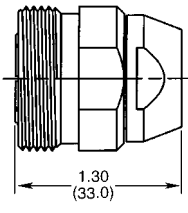
Cable Attachment: Clamp

Andrew LDF4®-50A	TRU-6780
Andrew LDF5®-50A	TRU-6782



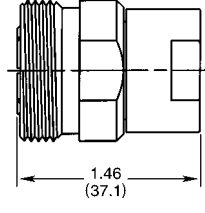
Cable Attachment: Clamp

Straight	RG-/U Cable Type	Model
	Rigid Coax. Line (16mm I.D., 18mm O.D.)	TRU-6889



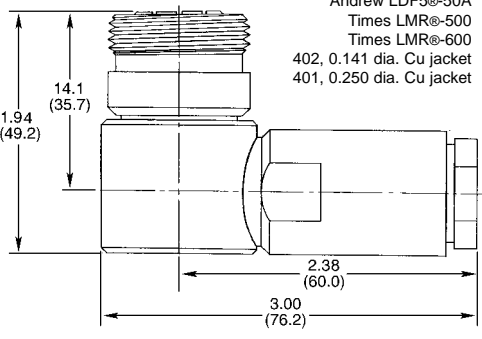
Cable Attachment: Solder

Rigid Coax. Line (16mm I.D., 20mm O.D.)	TRU-6886
---	-----------------



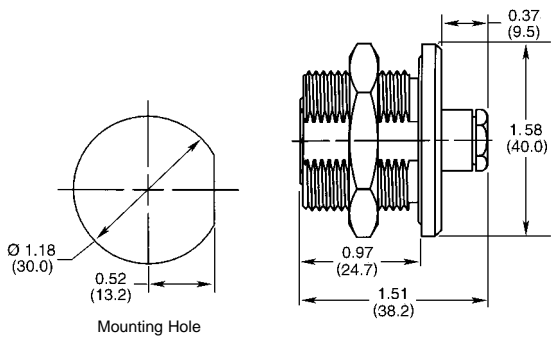
Cable Attachment: Thread-on

Right Angle	RG-/U Cable Type	Model
	Andrew LDF4®-50A	TRU-7772
	Andrew LDF5®-50A	TRU-7775
	Times LMR®-500	TRU-7742
	Times LMR®-600	TRU-7744
	402, 0.141 dia. Cu jacket	TRU-7840
	401, 0.250 dia. Cu jacket	TRU-7841



Cable Attachment: Clamp

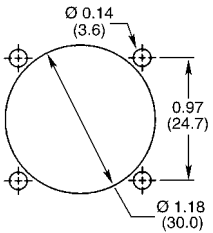
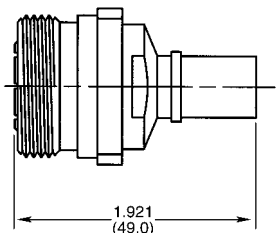
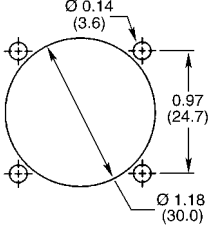
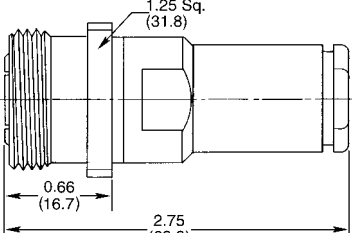
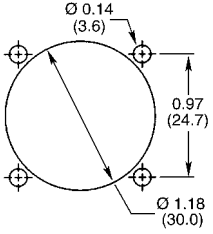
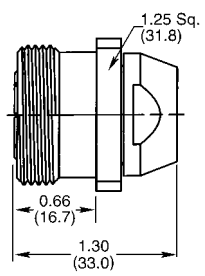
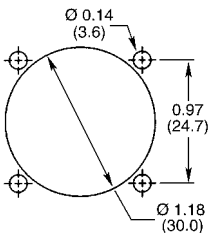
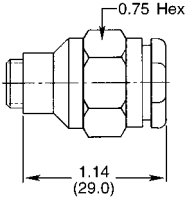
Bul khead	RG-/U Cable Type	Model
	402, 0.141 dia. Cu jacket	TRU-7663
	402, 0.250 dia. Cu jacket	TRU-7664



Cable Attachment: Solder Clamp



The Custom Interconnect Leader

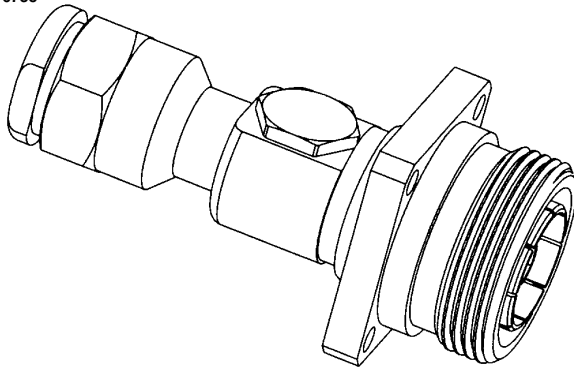
Combination Fittings	RG-/U Cable Type	Cable Attachment	Model
 <p>Mounting Hole</p>	 <p>Cable Attachment: Crimp</p>	55B, 142A, 223, 400 8A, 11A, 213 9B, 13A, 87A, 214, 216, 225, 393	TRU-7740 TRU-7738 TRU-7739
 <p>Mounting Hole</p>	 <p>Cable Attachment: Crimp</p>	55B, 58C, 141A, 142A, 223, 400 5B, 6A, 143A, 212 8A, 9B, 11A, 13A, 87A, 213, 214, 216, 225 393 14A, 217 Andrew LDF4®-50A Andrew LDF5®-50A Times LMR®-400 Times LMR®-500 Times LMR®-600 402, 0.141 dia. Cu jacket 401, 0.250 dia. Cu jacket	TRU-7905 TRU-7732 TRU-6963 TRU-7733 TRU-7691 TRU-7735 TRU-7736 TRU-7827 TRU-7829 TRU-7831 TRU-7839 (not shown) TRU-7734 (not shown)
 <p>Mounting Hole</p>	 <p>Cable Attachment: Solder</p>	Rigid Coax. Line (16mm I.D., 20mm O.D.)	TRU-6890
 <p>Mounting Hole</p>	 <p>Cable Attachment: Thread-on</p>	Rigid Coax. Line (16mm I.D., 20mm O.D.)	TRU-6887



The Custom Interconnect Leader

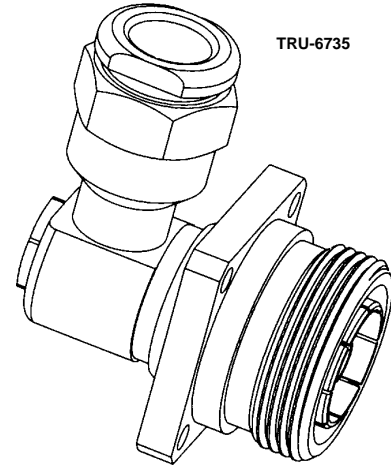
TRU 7-16 Combination Connectors can be assembled in either straight or right angle configurations (please specify both combination head and fitting number when ordering)

TRU-6735



TRU-6655

TRU-6735



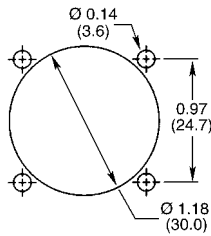
TRU-6655

Full Scale Example

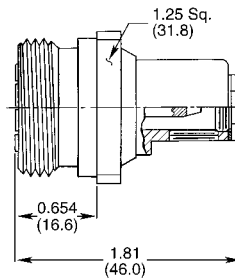
Panel Jack Combination Head

Model

TRU-6655



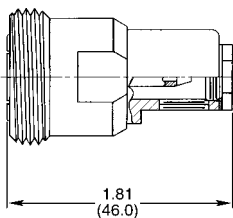
Mounting Hole



Jack Combination Head

Model

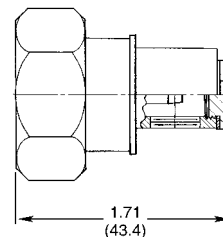
TRU-6650



Plug Combination Head

Model

TRU-6745



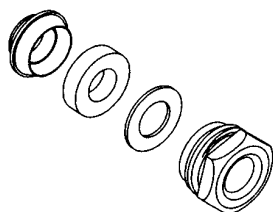
Cable Attachment: Clamp



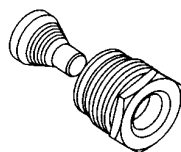
The Custom Interconnect Leader

Combination Fittings	RG-/U Cable Type	Cable Attachment	Model
	58C, 141A 55B, 142A, 223, 400 59B, 62B, 210 71B 8A, 11A, 213 9B, 13A, 87A, 214, 216, 225, 393	Crimp Crimp Crimp Crimp Crimp Crimp	TRU-6737 TRU-6738 TRU-6739 TRU-6747 TRU-6748 TRU-6749
	402, 0.141 dia Cu jacket 401, 0.250 dia Cu jacket 0.325 dia Cu jacket	Direct Solder Direct Solder Direct Solder	TRU-6732 TRU-6734 TRU-6736
	55B, 58C, 141A, 142A, 223, 400 59B, 62B, 71B, 210 402, 0.141 dia Cu jacket	Improved Clamp Wedge Clamp Improved Clamp Wedge Clamp Solder Clamp	TRU-6724 TRU-6726 TRU-6721 TRU-6727 TRU-6731
	5B, 6A, 143A, 212 8A, 9B, 11A, 13A, 87A, 213, 214, 216, 225 393 401, 0.250 dia Cu jacket 0.325 dia Cu jacket	Improved Clamp Wedge Clamp Improved Clamp Wedge Clamp Improved Clamp Wedge Clamp Solder Clamp Solder Clamp	TRU-6723 TRU-6728 TRU-6720 TRU-6729 TRU-6725 TRU-6730 TRU-6733 TRU-6735

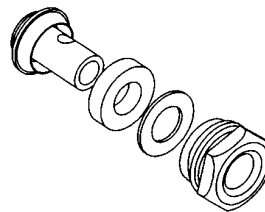
Cable Attachment Methods



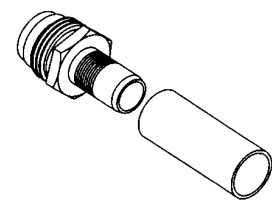
Improved Clamp



Wedge Clamp



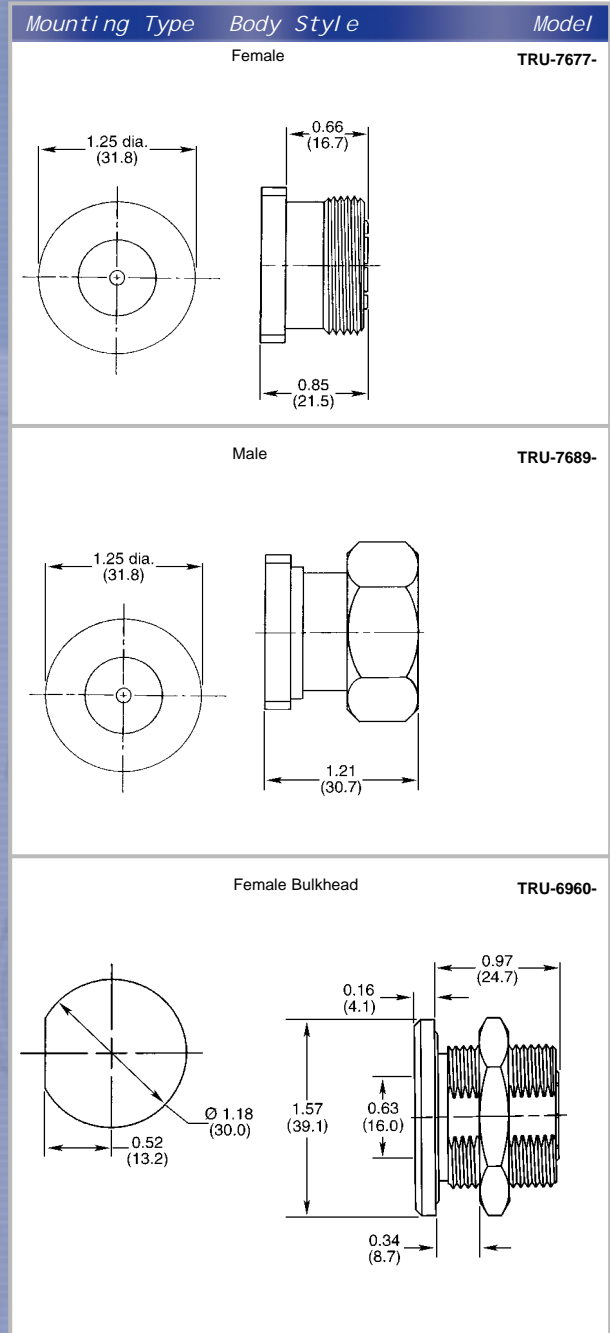
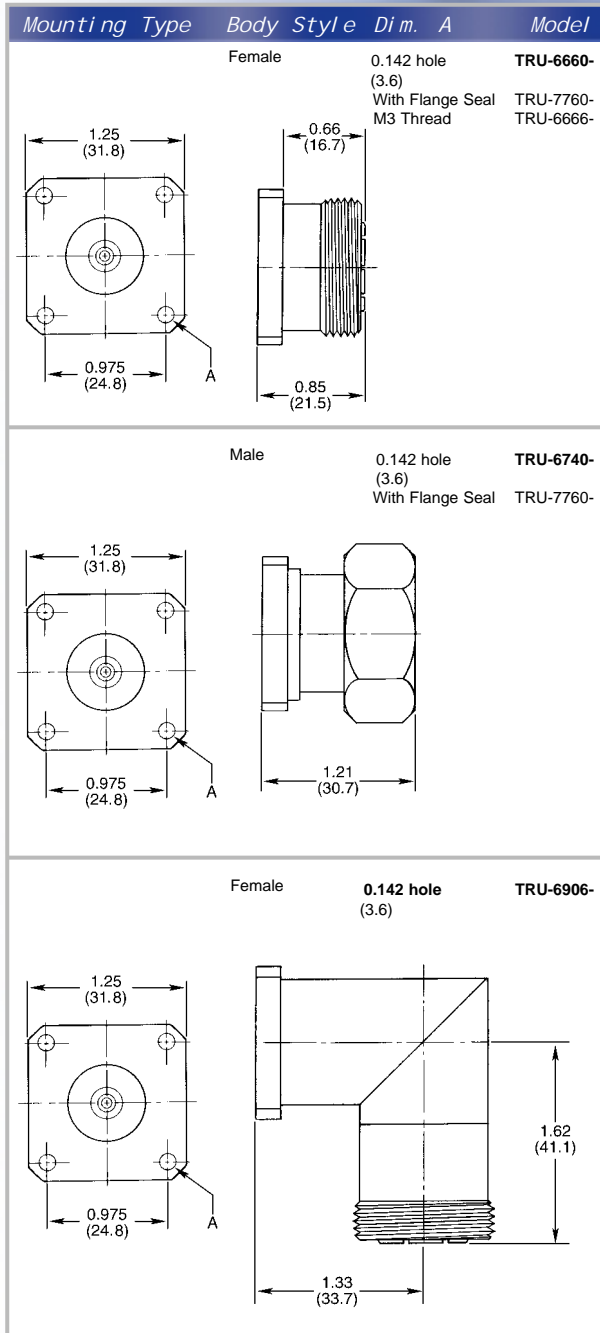
Solder Clamp



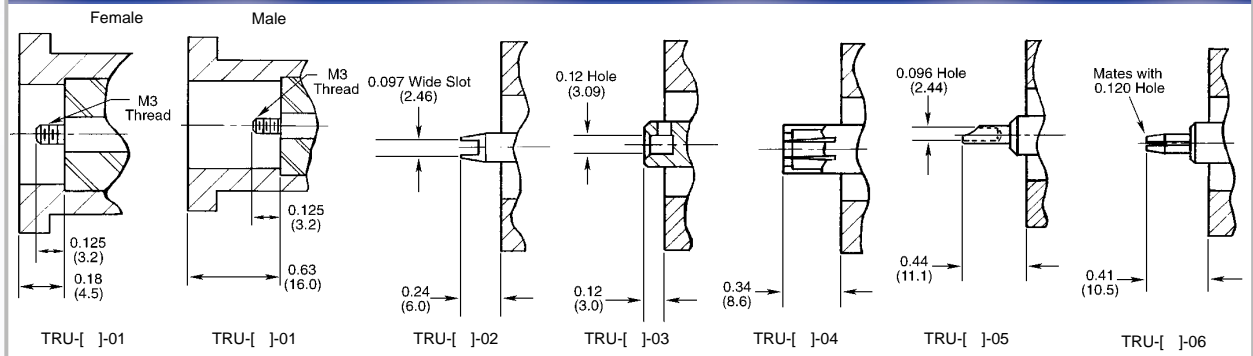
Crimp



The Custom Interconnect Leader

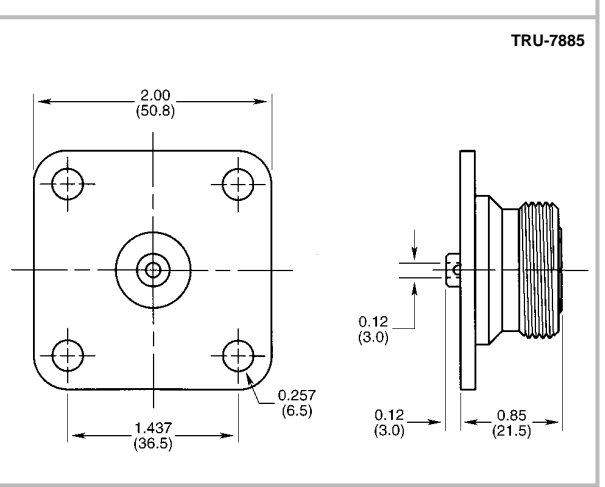
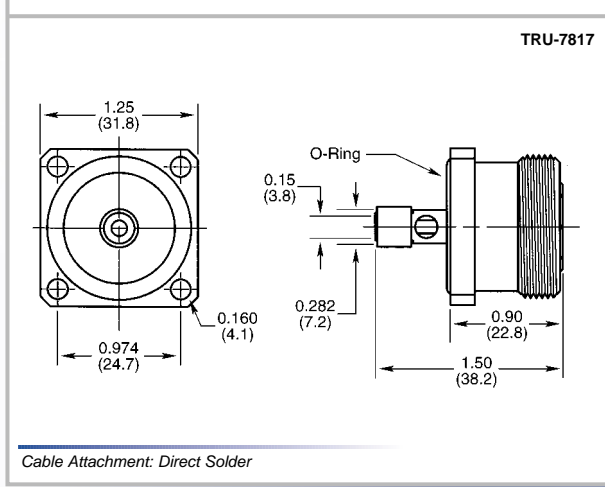
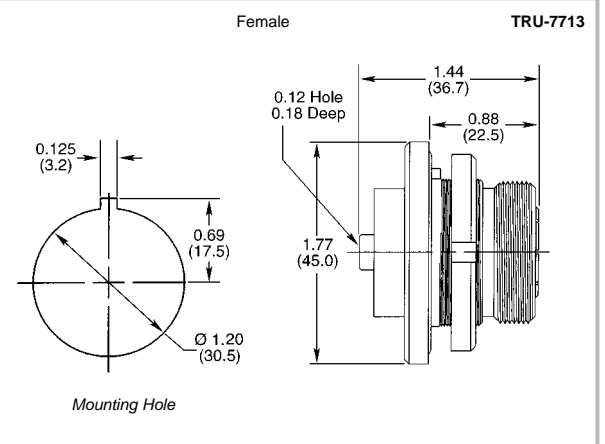
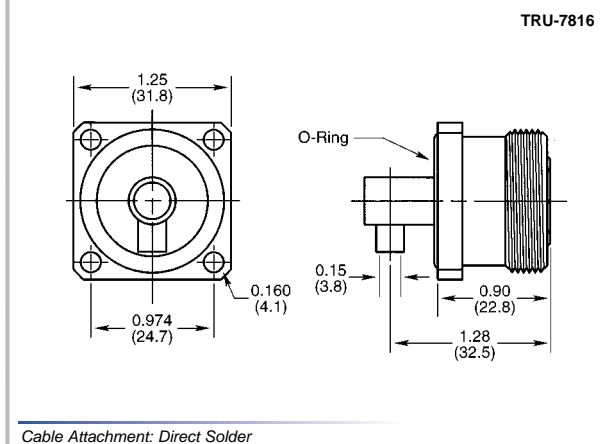
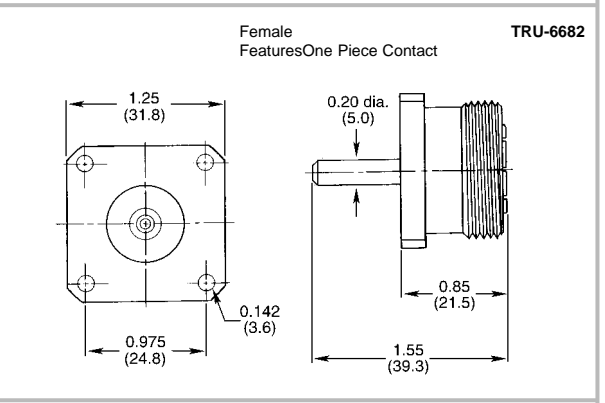
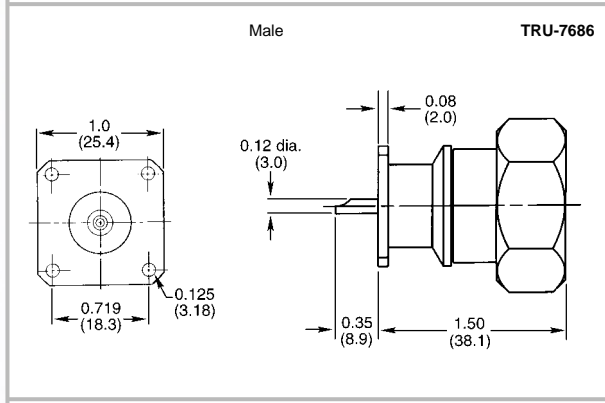
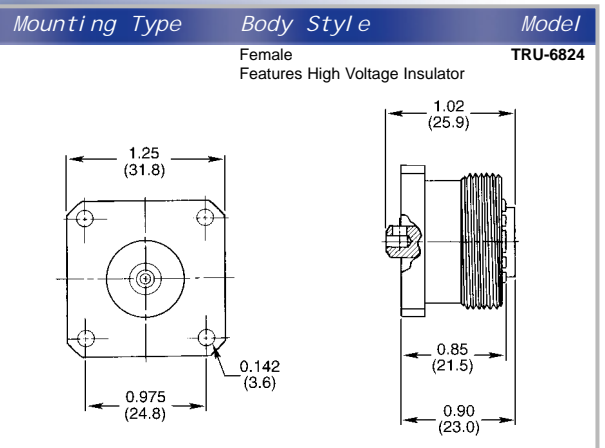
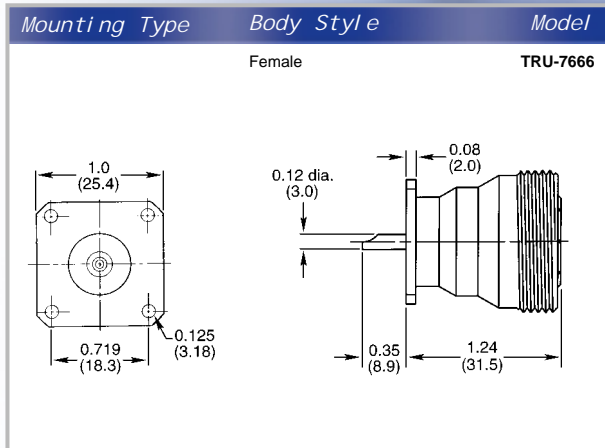


CONTACT OPTIONS FOR ABOVE (enlarged) Add corresponding option code to end of model number, i.e. TRU-7677-02.



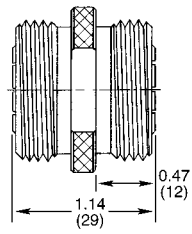
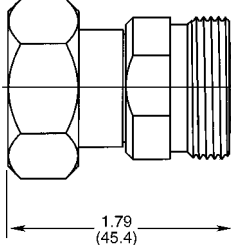
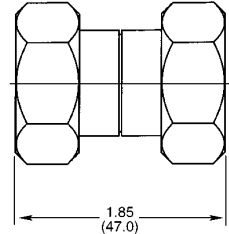
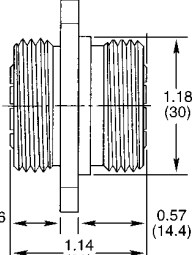
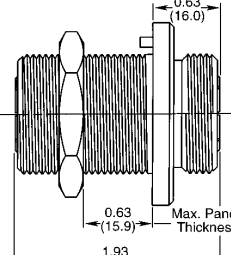
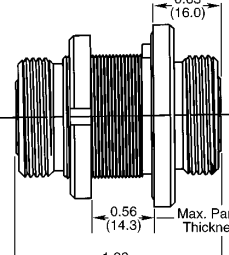


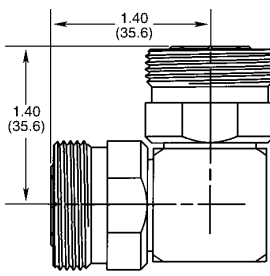
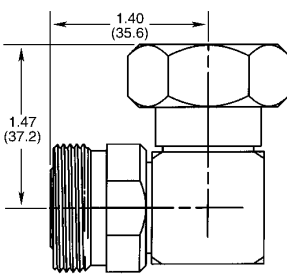
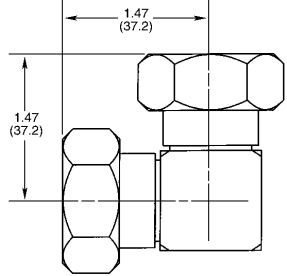
The Custom Interconnect Leader

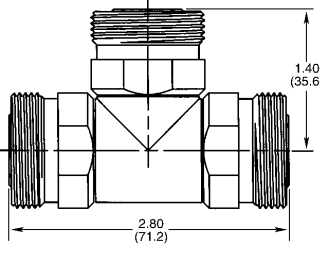
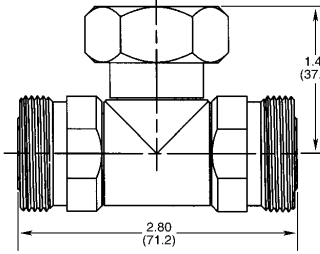
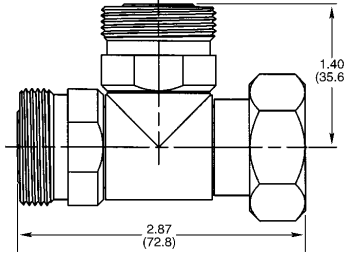
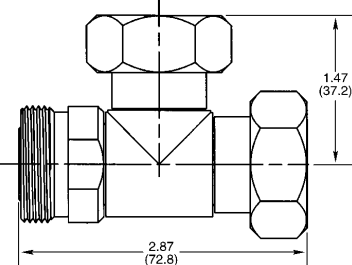
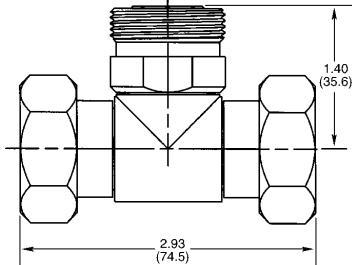
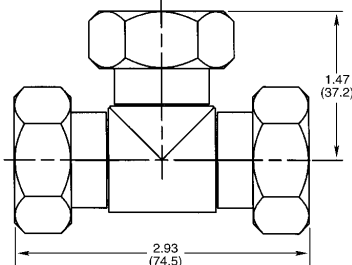




The Custom Interconnect Leader

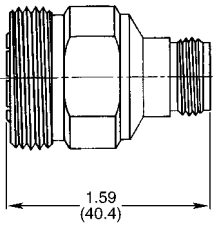
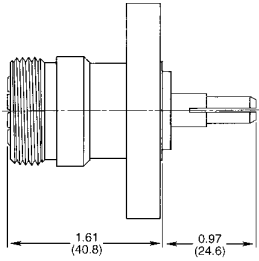
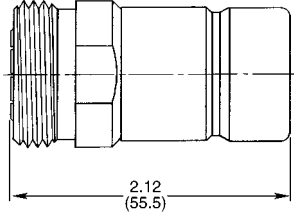
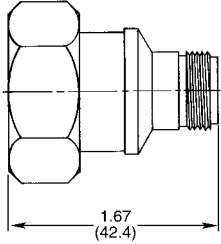
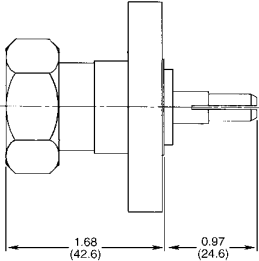
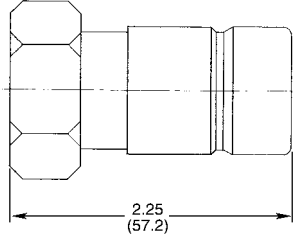
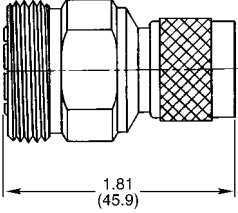
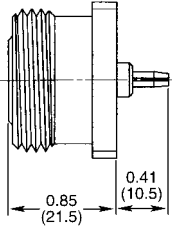
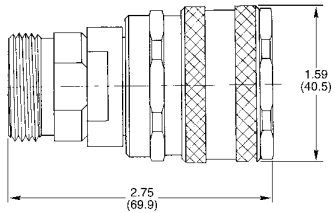
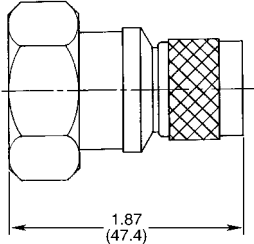
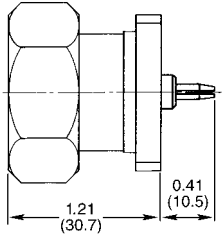
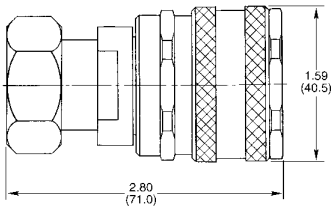
<i>In Series, Straight</i>	<i>Model</i>	<i>Model</i>	<i>Model</i>
Female to Female 	TRU-7657	Female to Male 	Male to Male 
Female to Female Panel Mount 	TRU-7692	Female to Female Bulkhead Mount 	Female to Female Bulkhead Mount 

<i>In Series, Right Angel</i>	<i>Model</i>	<i>Model</i>	<i>Model</i>
Female to Female 	TRU-7704	Female to Male 	Male to Male 

<i>In Series, Tee</i>	<i>Model</i>	<i>Model</i>	<i>Model</i>
Female to Female to Female 	TRU-7705	Female to Male to Female 	Female to Female to Male 
Female to Male to Male 	TRU-7708	Male to Female to Male 	Male to Male to Male 



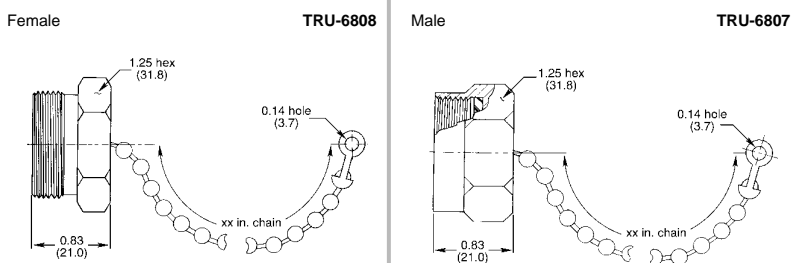
The Custom Interconnect Leader

Between Series	Model	Model	Model	
Female to Female	TRU-6812	Female to 7/8-50EIA Fixed Male	TRU-7617	
 <p>1.59 (40.4)</p>	 <p>1.61 (40.8) 0.97 (24.6)</p>	Female to SQ Female	TRU-7768	
 <p>2.12 (53.5)</p>	Male to Type N Female	TRU-6810	Male to 7/8-50EIA Fixed Male	TRU-7616
 <p>1.67 (42.4)</p>	 <p>1.68 (42.6) 0.97 (24.6)</p>	Male to SQ Female	TRU-7643	
 <p>2.25 (57.2)</p>	Female to Type N Male	TRU-6811	Female to QC Male	TRU-6813
 <p>1.81 (45.9)</p>	 <p>0.85 (21.5) 0.41 (10.5)</p>	Female to SQ Male	TRU-7644	
 <p>1.59 (40.5)</p> <p>2.75 (69.9)</p>	Male to Type N Male	TRU-6809	Male to QC Male	TRU-6852
 <p>1.87 (47.4)</p>	 <p>1.21 (30.7) 0.41 (10.5)</p>	Male to SQ Male	TRU-7767	
 <p>1.59 (40.5)</p> <p>2.80 (71.0)</p>				

Straight

- Male to HN Female TRU-7783
- Male to HN Male TRU-7782
- Female to HN Female TRU-7785
- Female to HN Male TRU-7784
- Male to C Female TRU-8172
- Male to C Male TRU-8171
- Female to C Female TRU-8174
- Female to C Male TRU-8173

Caps



To Order Cap with Chain, Add Chain Length To Model NO. IE: TRU-6808-02 = Female Cap With 2" Chain