

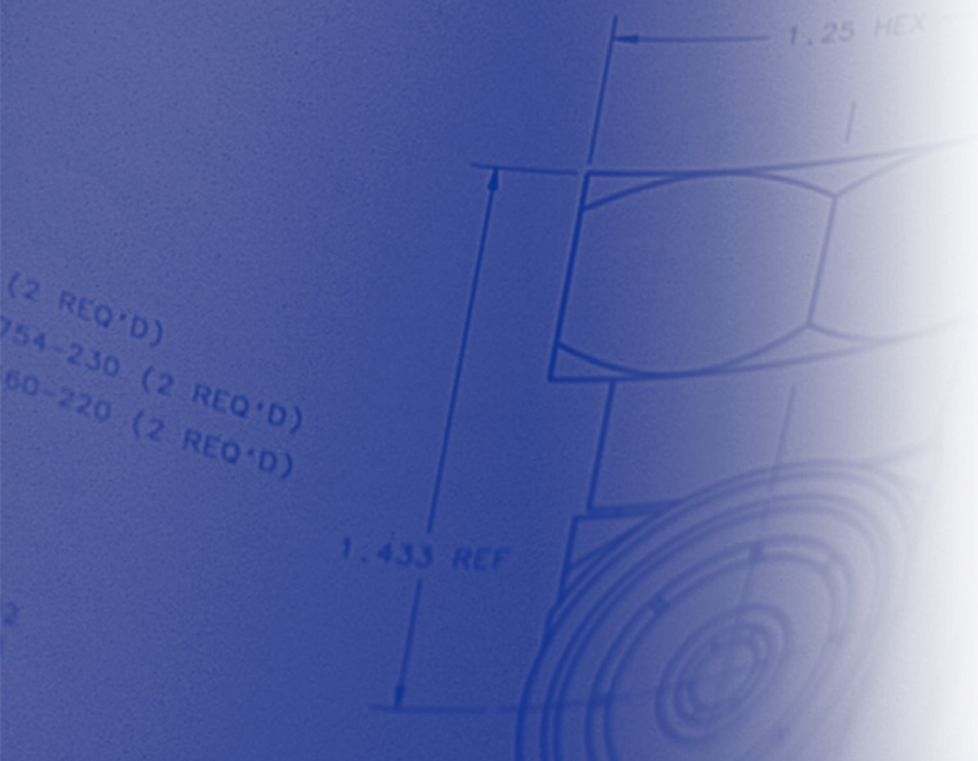


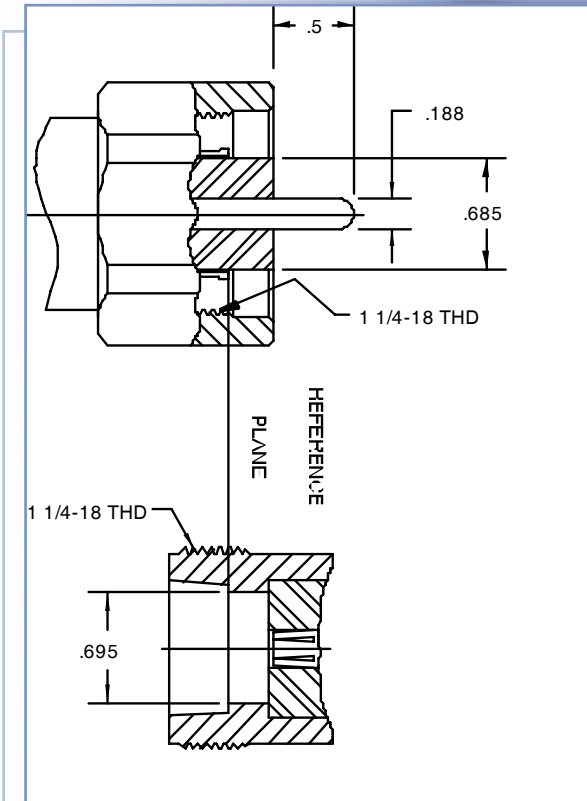
LC Series



LC Series

The Custom Interconnect Leader





TRU Corporation offers LC Series connectors for military and commercial applications. The LC Series are large sized, high voltage, 50 ohm coaxial connectors designed for cable sizes .393" to 1.00". We offer a large range of plugs, jacks, bulkhead or panel receptacles and in-series and between-series adapters. See page 10 for Cable Assemblies manufactured from RG-218/U and RG-393 cable.

For leading-edge engineering and custom product designs, look to TRU. Since 1951, we have been providing our customers with quality and cost effective solutions for all of their interconnect applications. We maintain the highest quality standards and manufacture all our products at our modern facility located in Peabody, Massachusetts. Contact your Customer Service Representative today or visit www.trucorporation.com to see why we are "The Custom Interconnect Leader".

Please note that the products displayed are only a sampling of our designs.

ELECTRICAL

Nominal Impedance: 50 ohms
 Frequency Range: DC to 1.0 GHz
 Voltage Rating: 5,000 volts rms
 Dielectric Withstanding Voltage: 3,000 volts rms
 Insulation Resistance: 5,000 megohms
 VSWR: 1.15 max DC-1.0 GHz

MECHANICAL

Mating Characteristics: per MIL-C-3650 or MIL-STD-348
 Connector Durability: 500 cycles min.
 Cable Attachment: Clamp

ENVIRONMENTAL

Temperature Range: -85°F to +329°F (Teflon) (-65°C to +165°C)
 -85°F to +329°F (Rexolite, Polyethelene) (-65°C to +165°C)
 Vibration: MIL-STD-202 Method 204 (Test Cond. B)
 Shock: MIL-STD-202 Method 213 (Test Cond. I)
 Moisture Resistance: MIL-STD-202 Method 106
 Corrosion (salt spray): MIL-STD-202 Method 101 (Test Cond.B)

Body: Brass, Silver or Nickel Plated
 Contacts (Inner):
 Female: Beryllium Copper, Silver or Gold Plated
 Male: Brass, Silver or Gold Plated
 Contacts (Outer): Brass, Silver or Nickel Plated Beryllium, Silver or Nickel
 Contacts (Slotted): Plated
 Insulators: Teflon, Rexolite, Polyethelene
 Gaskets & Seals: Silicone Rubber

Please note that bold model numbers represent the product as shown.

Custom connectors can be manufactured to your own specifications.

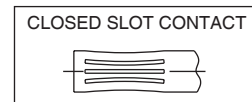


Build Your Own Connector at www.trucorporation.com

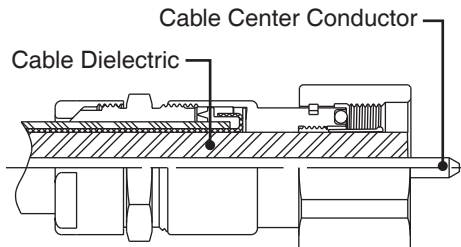
Special Features

OPEN SLOT vs. CLOSED SLOT CONTACT

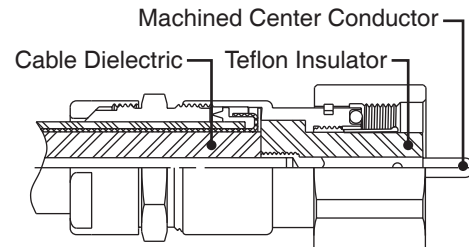
Certain LC Female Connectors are available from Tru-Connector with a closed slot contact. This closed slot center contact eliminates the potential for breakage, which can occur on the open slot contact when the male pin shears a finger from the open slot.

*TRU-4010 vs. TRU-4023*

TRU-4010 is an LC cable plug designed for RG-218 cable utilizing the cable dielectric and center conductor as the connector insulator and contact. This requires the assembler to deburr the cable center conductor to avoid damaging an open slot female contact. TRU-4023 is also designed for RG-218 but has a machined center contact and Teflon insulator. This greatly reduces the chance of damaging the female center contact.



TRU-4010



TRU-4023

HIGH VOLTAGE LC, LARGE LC, AND LT SERIES CONNECTORS

Large LC Connectors have a 1³/₄" -16 coupling thread as opposed to the 1¹/₄" -18 thread of the standard LC. Tru-Connector offers large LC plugs to fit RG-220/U and RG-221/U type cable as well as female receptacles and between series adapters.

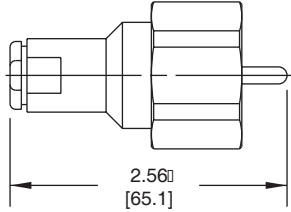
LT Series Connectors are similar to but do not mate with LC Series connectors. LT connectors conform to MIL-C-26637 and MIL-STD-348. They are designed for use with RG-117/U and RG-118/U type cables.

High Voltage LC Connectors are the same size as standard LC connectors (1¹/₄" -18 coupling thread) but have a counter bored dielectric creating a longer voltage break down path. High voltage LC connectors have a voltage rating of 10,000 volts RMS. LC-HV connectors are available as Plugs, Jacks, Receptacles, In and Between Series Adapters.



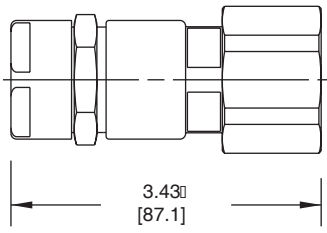
The Custom Interconnect Leader™

Straight	RG-/U Cable Type	Model
Captive Contact	8, 9, 31, 87A, 165, 213, 214, 225	TRU-4303
Captive Contact	393	TRU-6398
Captive Contact	226	TRU-5868



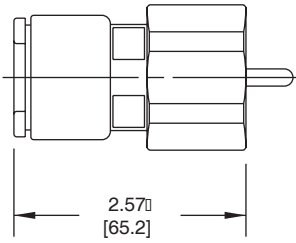
Cable Attachment: Clamp

Straight	RG-/U Cable Type	Model
Cable is used as center conductor and insulator	18, 219	TRU-4010



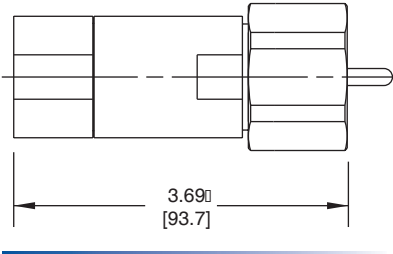
Cable Attachment: Armor Clamp

Captive Contact	117, 211	TRU-2954
-----------------	----------	-----------------



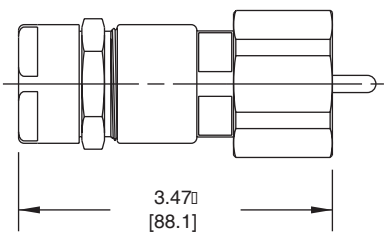
Cable Attachment: Clamp

Captive Contact	Andrews LDF5®-50A Times LMR®-900	TRU-6642 TRU-8534
-----------------	-------------------------------------	-----------------------------



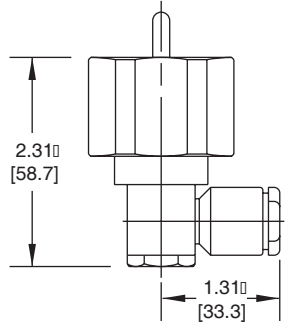
Cable Attachment: Clamp

Captive Contact	18, 219	TRU-4023
-----------------	---------	-----------------



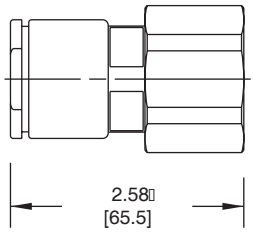
Cable Attachment: Armor Clamp

Right Angle	RG-/U Cable Type	Model
	226	TRU-6070
	8, 9, 31, 87A, 165, 213, 214, 225	TRU-3723
	393	TRU-8288



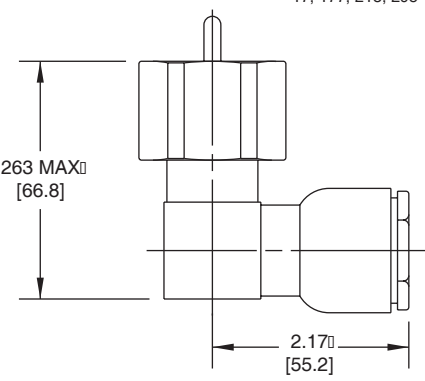
Cable Attachment: Clamp

Cable is used as center conductor and insulator	17, 177, 218, 295	TRU-4018
---	-------------------	-----------------



Cable Attachment: Clamp

	17, 177, 218, 295	TRU-2476
--	-------------------	-----------------



Cable Attachment: Clamp



The Custom Interconnect Leader™

Straight	RG-U Cable Type	Model
Cable is used as center conductor and insulator	8, 9, 31, 87A, 165, 213, 214, 225	TRU-3928
Cable Attachment: Clamp		

Panel	RG-U Cable Type	Model
Captive Contact	8, 9, 31, 87A, 165, 213, 214, 225	TRU-6226
Captive Contact	393	TRU-8289
Cable Attachment: Clamp		

Captive Contact	8, 9, 31, 87A, 165, 213, 214, 225	TRU-6225
Cable Attachment: Clamp		

(Polyethylene Insulator)	8, 9, 31, 87A, 165, 213, 214, 225	TRU-5625
Cable Attachment: Clamp		

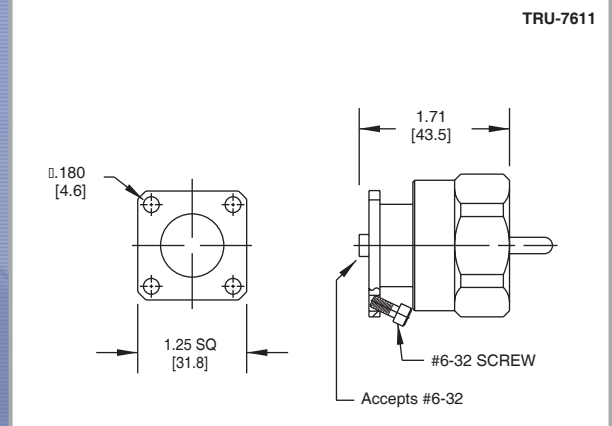
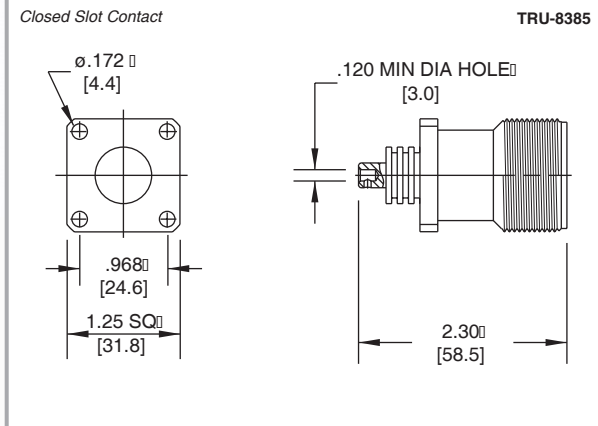
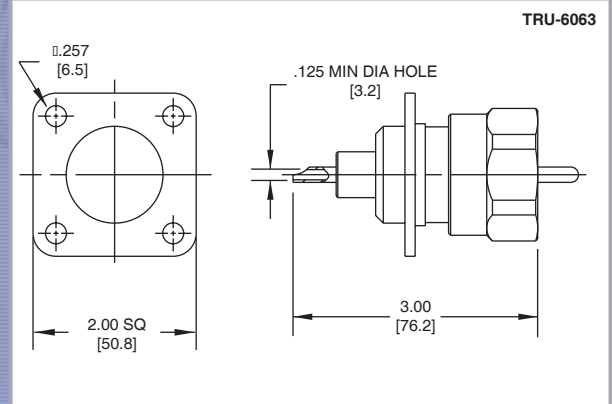
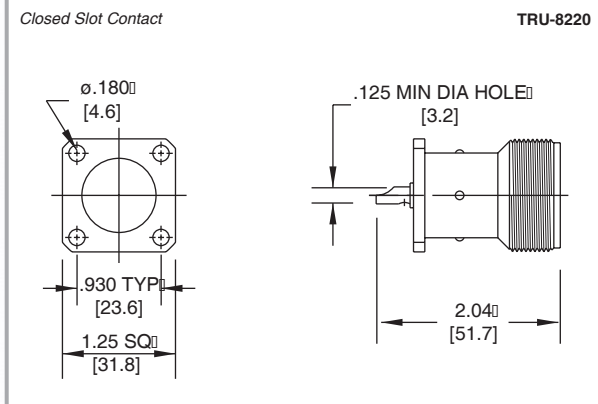
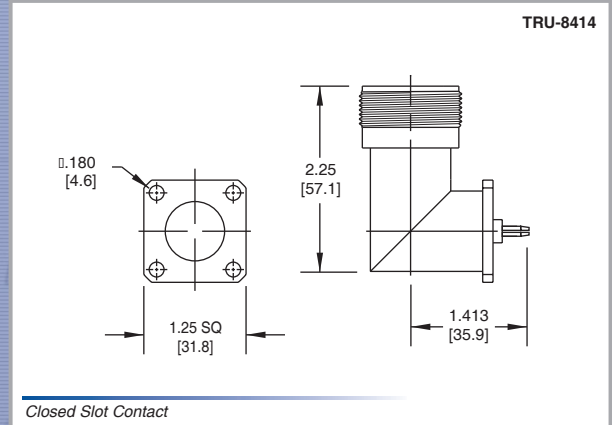
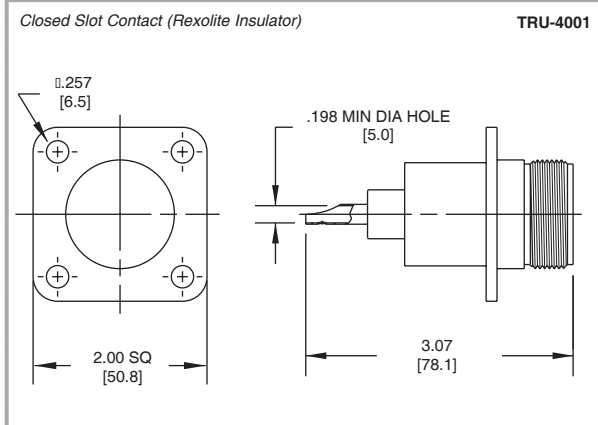
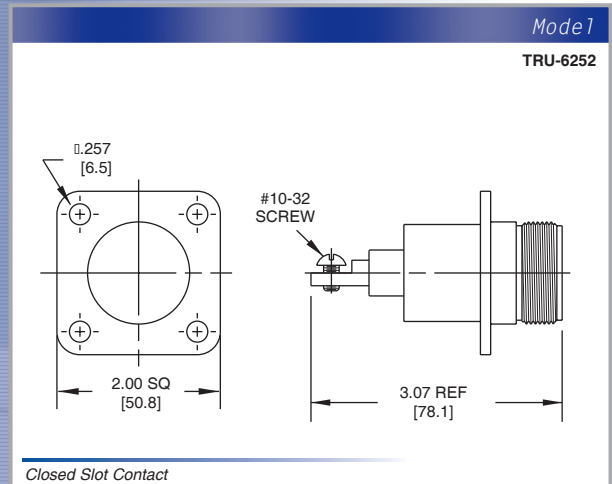
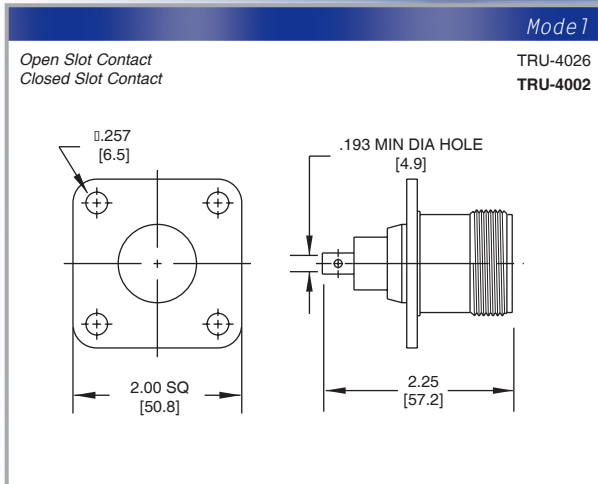
	17, 177, 218, 295	TRU-4708
Cable Attachment: Clamp		

	17, 177, 218, 295	TRU-2890
Cable Attachment: Clamp		

Clamp Types

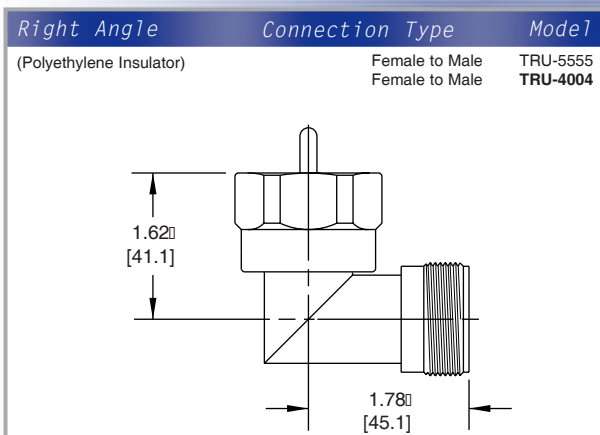
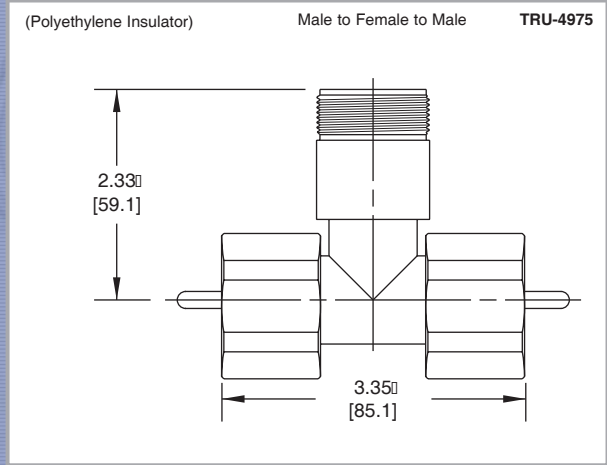
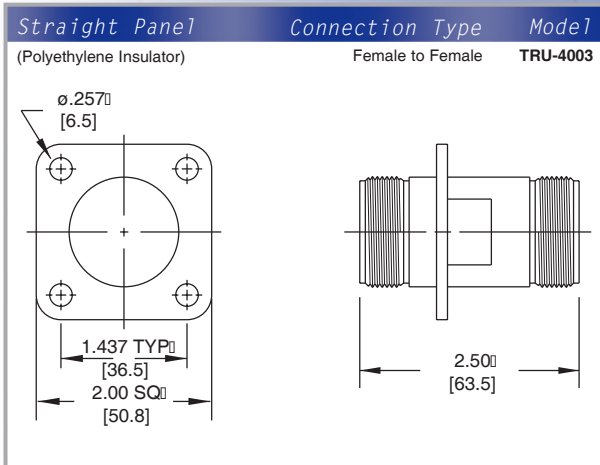
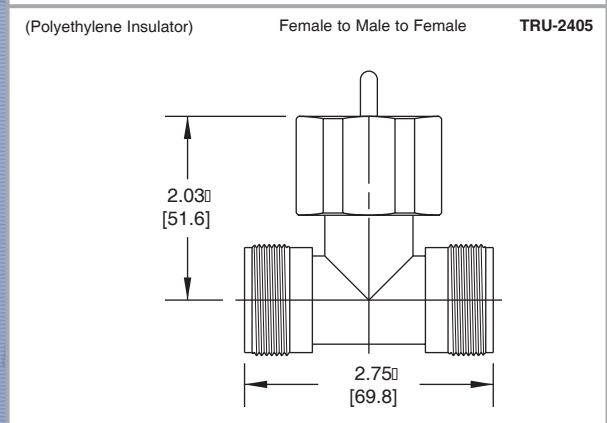
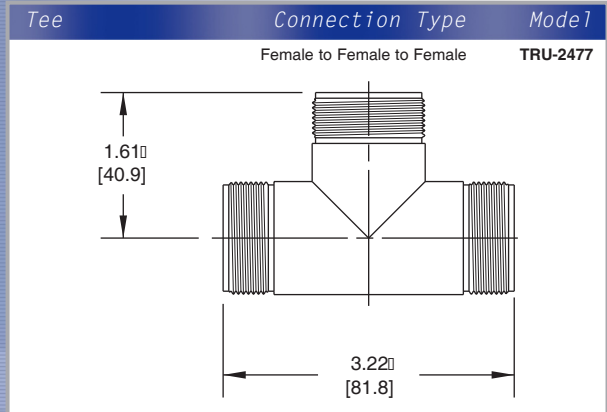
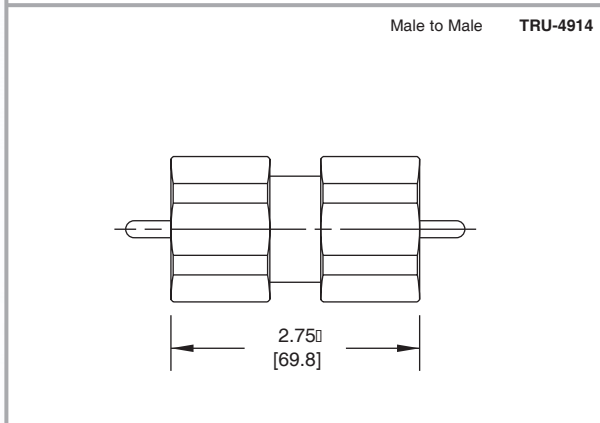
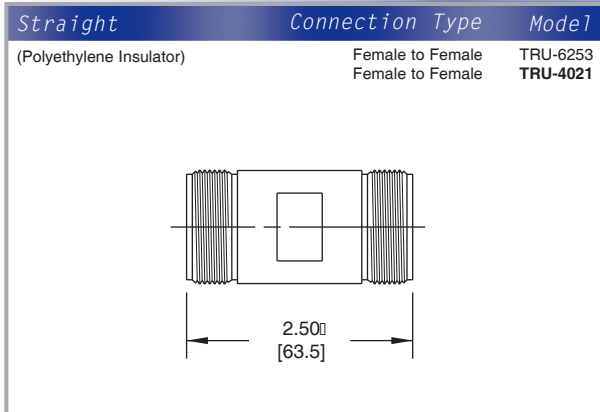
Armor Clamp Improved Clamp Solder Clamp

	8, 9, 31, 87A, 165, 213, 214, 225 401(.250 S/R)	TRU-3891 TRU-5465
Cable Attachment: Clamp (3891) Solder Clamp (5465)		





The Custom Interconnect Leader™



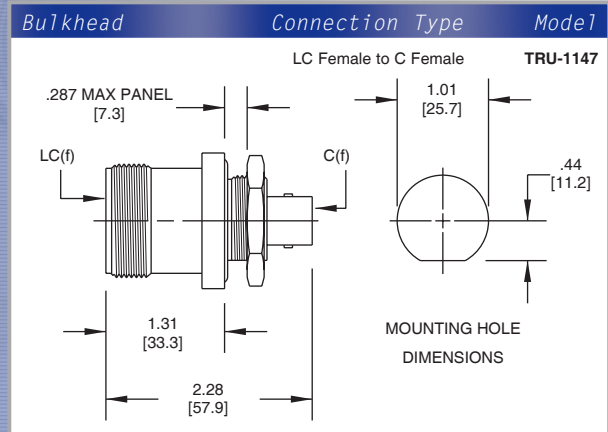
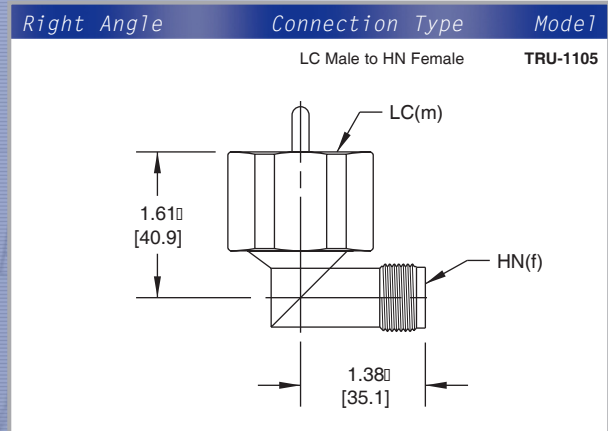
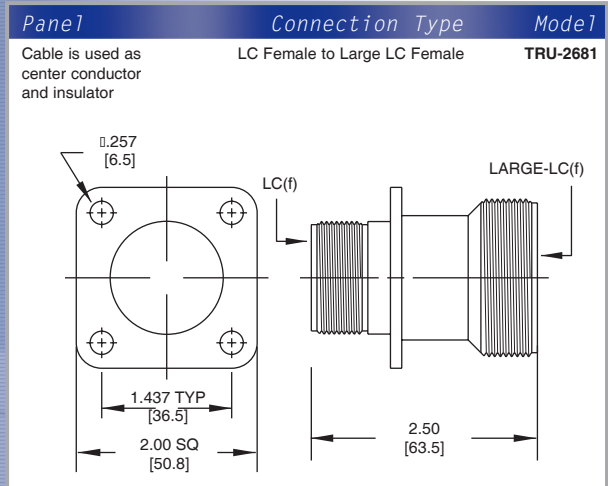
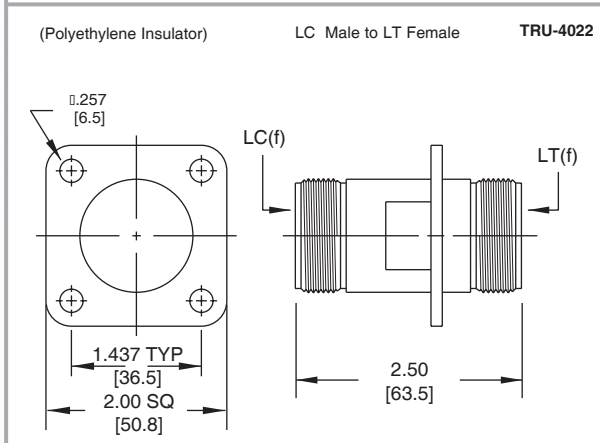
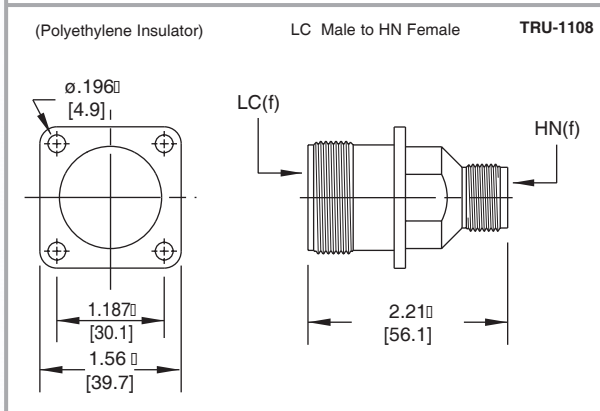
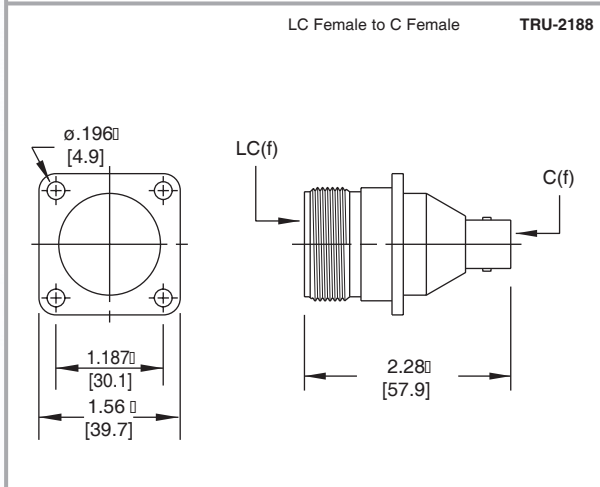
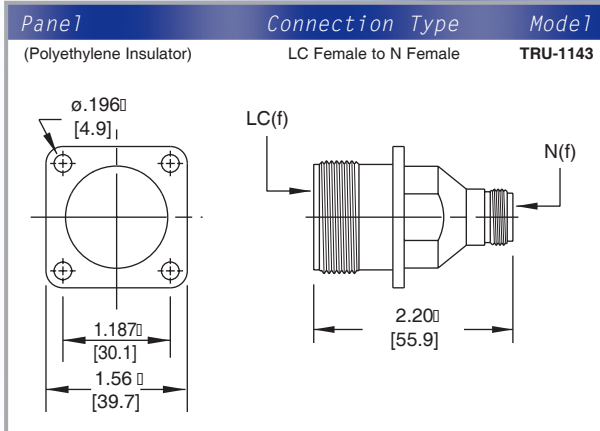
Custom Design Center

Visit trucorporation.com to use our state of the art, step-by-step application that will allow you to quickly identify your connector and/or cable assembly requirements and submit them directly to our sales and technical staff for price and delivery.



Straight	Connection Type	Model
	LC Male to N Female	TRU-1130
(Polyethylene Insulator)	LC Male to SC Female	TRU-5237
	LC Male to HN Female	TRU-1135
	LC Female to LT Male LT Female to LC Male	TRU-8933 TRU-8938

Straight	Connection Type	Model
(Polyethylene Insulator)	LC Female to N Female LC Female to N Female	TRU-1137 TRU-2485
(Polyethylene Insulator)	LC Female to Large LC Female	TRU-3597
(Polyethylene Insulator)	LC Female to LT Female	TRU-4024
	LC Female to C Female	TRU-4017



Also Available		
LC female to 7-16 female		TRU-8556
LC male to 7-16 female		TRU-8557
LC female to 7-16 male		TRU-8558
LC male to 7-16 male		TRU-8559



Straight to Straight Cable Assembly	Cable Type	Connections	Model
	RG-218/U	LC male to LC male	TRU-6617-XX
	RG-393/U	LC male to LC male	TRU-8052-XX

Right Angle to Straight Cable Assembly	Cable Type	Connections	Model
	RG-218/U	LC R/A Male to LC Male	TRU-8248-XX
	RG-393/U	LC R/A Male to LC Male	TRU-8547-XX

Right Angle to Right Angle Cable Assembly	Cable Type	Connections	Model
	RG-218/U	LC R/A Male to LC R/A Male	TRU-8533-XX
	RG-393/U	LC R/A Male to LC R/A Male	TRU-8281-XX

Cap and Chain	Model
	Cap (Male) TRU-0334-XX

Cap and Chain	Model
	Cap (Female) TRU-0369-XX