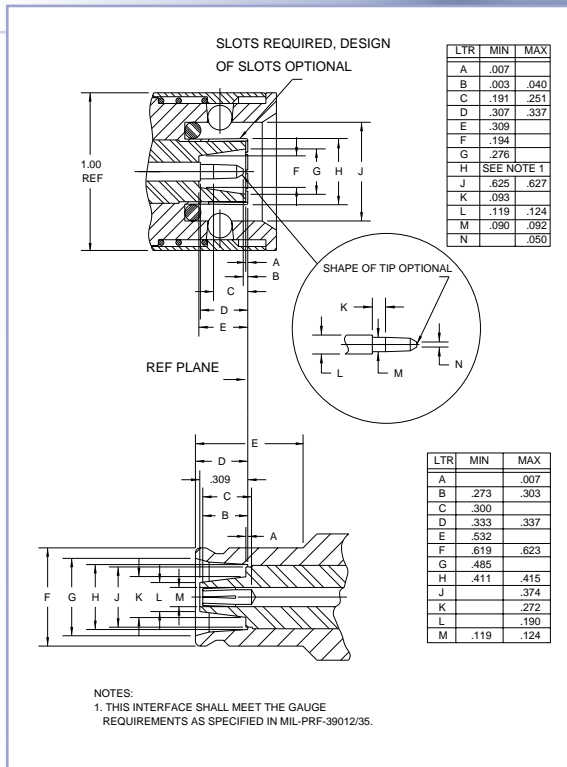


**QDS Series**

**QDS Series**



# The Custom Interconnect Leader



**ELECTRICAL**  
 Nominal Impedance: 50 ohms  
 Frequency Range: DC to 6 GHz  
 Voltage Rating: 1,000 volts rms  
 Dielectric Withstanding Voltage: 3,000 volts rms  
 Insulation Resistance: 5,000 megohms  
 VSWR: 1.35 max DC-6 GHz

**MECHANICAL**  
 Mating Characteristics: per TRU standards (ref MIL-C-18867A)  
 Connector Durability: 500 cycles min.  
 Cable Attachment: Clamp

**ENVIRONMENTAL**  
 Temperature Range: -67°F to +390°F (-55°C to +199°C)  
 Vibration: MIL-STD-202 Method 204 (Test Cond. B)  
 Shock: MIL-STD-202 Method 213 (Test Cond. I)  
 Moisture Resistance: MIL-STD-202 Method 106  
 Corrosion (salt spray): MIL-STD-202 Method 101 (Test Cond.B)

**MATERIAL / FINISHES**

Body: Brass, Silver or Nickel Plated  
 Contacts (Inner):  
 Female: Beryllium Copper, Silver or Gold Plated  
 Male: Brass, Silver or Gold Plated  
 Contacts (Outer): Brass, Silver or Nickel Plated  
 Beryllium, Silver or Nickel  
 Contacts (Slotted): Plated  
 Insulators: Teflon  
 Gaskets & Seals: Silicone Rubber

Features listed are typical and may vary depending upon cable selection and application.

TRU Corporation offers QDS Series connectors that provide high integrity connections with a fast on/off capability and reliable mating, without bayonets or threaded couplings nuts. These connectors feature a positive locking mechanism employing a spring loaded sleeve on the male plug that is drawn back to let self contained bearings click into grooves on the corresponding female and the then slide forward. A red band is exposed if connectors are not fully mated, providing added security for a proper connection.

For leading-edge engineering and custom product designs, look to TRU. Since 1951, we have been providing our customers with quality and cost effective solutions for all of their interconnect applications. We maintain the highest quality standards and manufacture all our products at our modern facility located in Peabody, Massachusetts. Contact your Customer Service Representative today or visit [www.trucorporation.com](http://www.trucorporation.com) to see why we are "The Custom Interconnect Leader".

Please note that the products displayed are only a sampling of our designs.

Please note that bold model numbers represent the product as shown.

Custom connectors can be manufactured to your own specifications.



Build Your Own Connector at [www.trucorporation.com](http://www.trucorporation.com)



The Custom Interconnect Leader

Straight	RG-U Cable Type	Model
	RG-55B, 58C, 141A, 142A, 223, 400/U Harbour LL-142	TRU-8805 TRU-8353
	RG-8A, 9B, 11A, 13A, 87A, 213, 214, 216, 225/U	TRU-0440

Cable Attachment: Clamp

Straight	RG-U Cable Type	Model
Captive Contact Captive Contact	RG-14, 217/U RG-393/U	TRU-6903 TRU-7999

Cable Attachment: Clamp

RG-U Cable Type	Model
RG-14, 217/U	TRU-3016

Cable Attachment: Clamp

Right Angle	RG-U Cable Type	Model
	RG-8A, 9B, 11A, 13A, 87A, 213, 214, 216, 225/U	TRU-8613

Cable Attachment: Clamp

RG-U Cable Type	Model
RG-8, 10, 213, 214, 215, 216/U	TRU-0448

Cable Attachment: Clamp

RG-U Cable Type	Model
RG-14, 14A, 217/U	TRU-6904

Cable Attachment: Clamp

RG-U Cable Type	Model
RG-14, 74, 217, 224/U	TRU-0423

Cable Attachment: Armor Clamp

Clamp Types

ARMOR CLAMP      IMPROVED CLAMP



The Custom Interconnect Leader

Straight	RG-U Cable Type	Model
	RG-8A, 9B, 11A, 13A, 87A, 213, 214, 216, 225/U	TRU-3112
Cable Attachment: Clamp		

Bul khead	RG-U Cable Type	Model
	Harbour LL-142	TRU-8448
Cable Attachment: Clamp		

	RG-U Cable Type	Model
	RG-10, 12, 13, 214, 215, 216/U	TRU-0445
Cable Attachment: Armor Clamp		

Panel	RG-U Cable Type	Model
	RG-402/U	TRU-8153
Cable Attachment: Solder		

Bul khead	RG-U Cable Type	Model
	RG-8A, 9B, 11A, 13A, 87A, 213, 214, 216, 225/U RG-55B, 58C, 141A, 142A, 223, 400/U	TRU-3017 TRU-3076
Cable Attachment: Clamp		

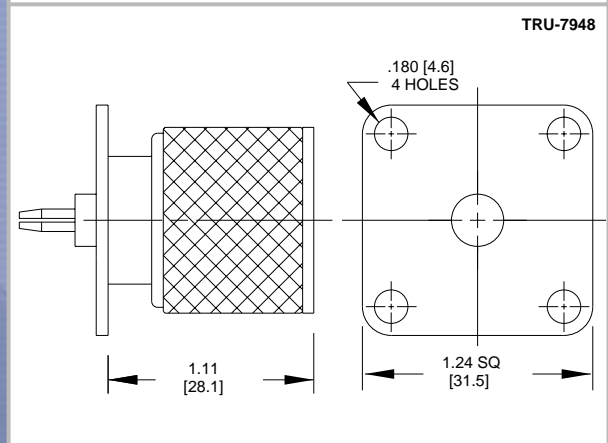
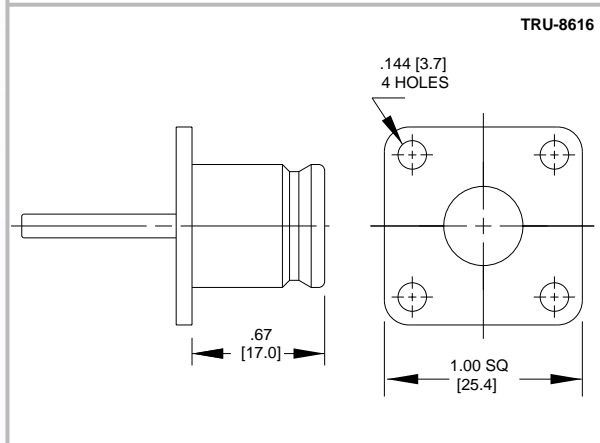
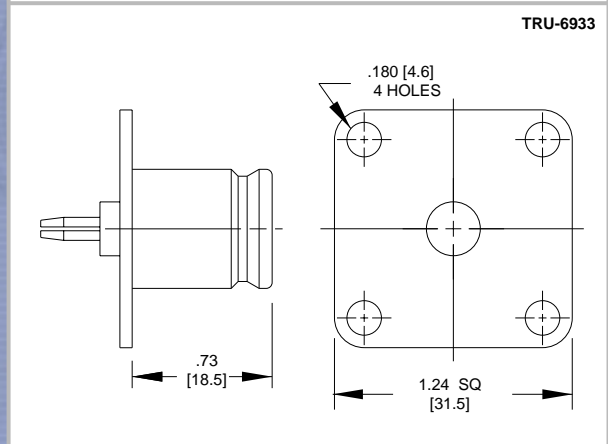
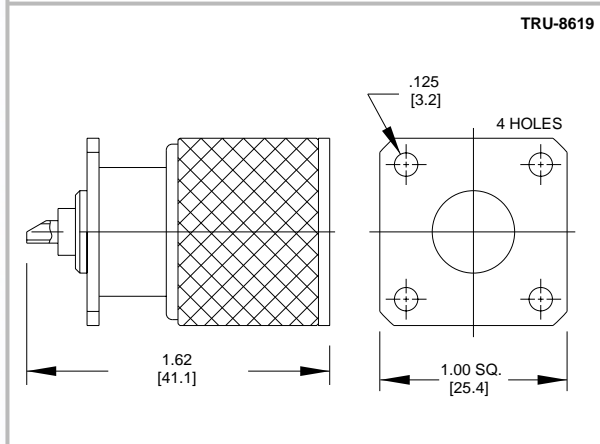
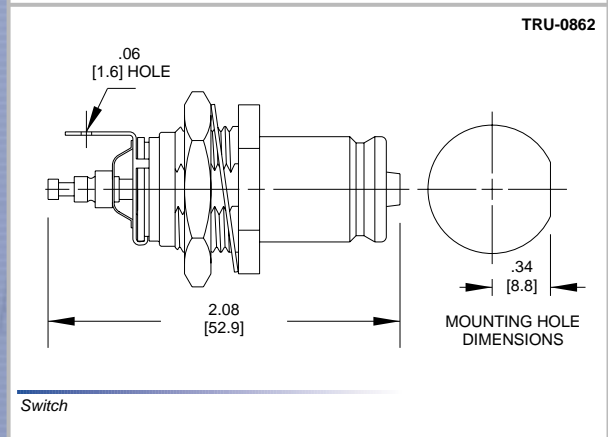
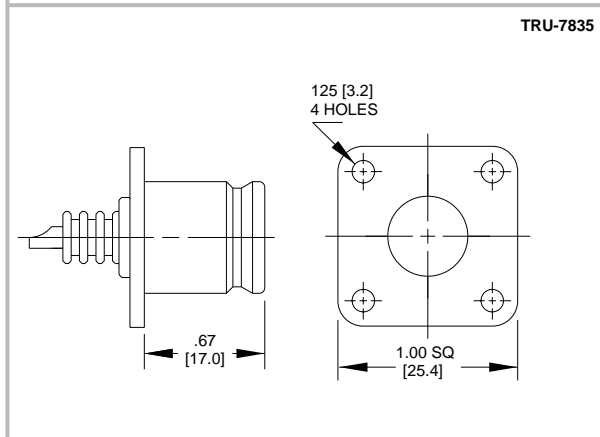
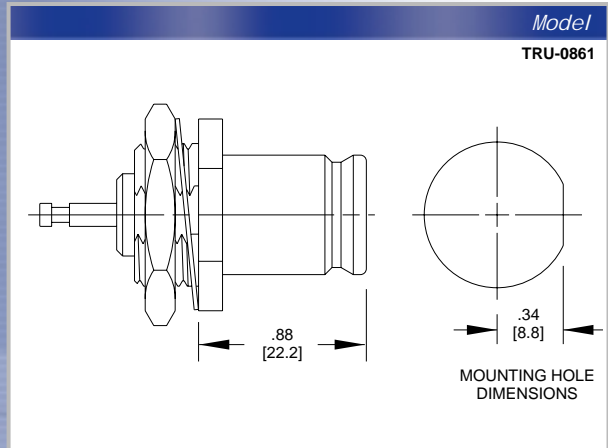
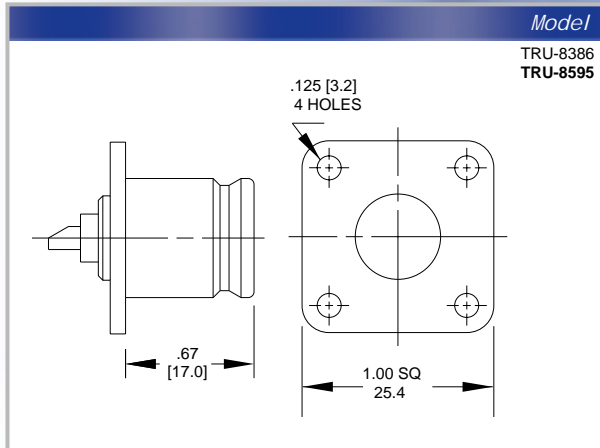
	RG-U Cable Type	Model
	RG-8A, 9B, 11A, 13A, 87A, 213, 214, 216, 225/U RG-393/U	TRU-2167 TRU-8127
Cable Attachment: Clamp		

	RG-U Cable Type	Model
	RG-8A, 9B, 11A, 13A, 87A, 213, 214, 216, 225/U	TRU-0442
Cable Attachment: Armor Clamp		

	RG-U Cable Type	Model
	RG-8A, 9B, 11A, 13A, 87A, 213, 214, 216, 225/U	TRU-2662
Cable Attachment: Armor Clamp		



The Custom Interconnect Leader



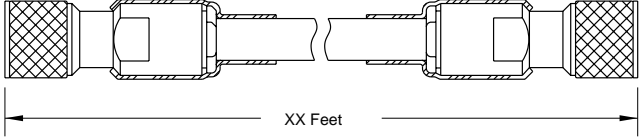
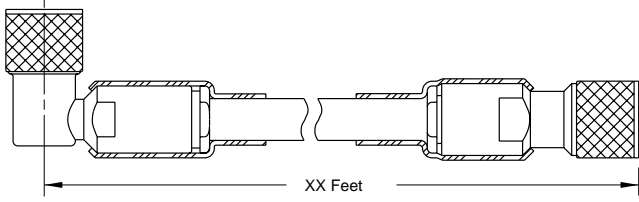
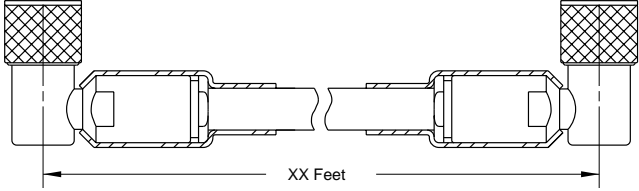
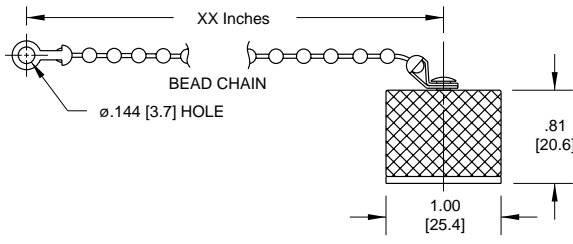
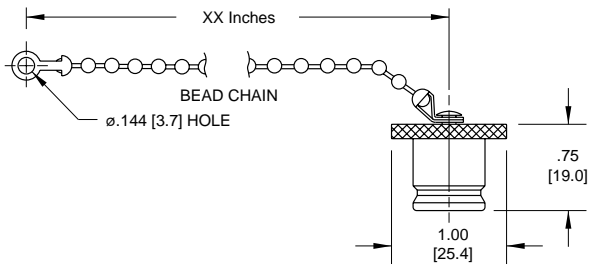


*The Custom Interconnect Leader*

<i>Between Series</i>	<i>Model</i>	<i>Model</i>	<i>Model</i>
QDS Male to N Male  1.71 [43.4] <i>Straight</i>	<b>TRU-8615</b>	QDS Female to N Female  1.53 [38.9] <i>Straight</i>	<b>TRU-8602</b>
QDS Female to N Male  1.45 [36.9] <i>Straight</i>	<b>TRU-8603</b>	QDS Male to N Female  1.79 [45.5] <i>Straight</i>	<b>TRU-8604</b>
QDS Male to C Female  1.41 [35.8] <i>Straight</i>	<b>TRU-0435</b>	QDS Male to HN Male  2.07 [52.6] <i>Straight</i>	<b>TRU-7770</b>
QDS Female to HN Male  1.56 [39.6] <i>Straight</i>	<b>TRU-0434</b>	QDS Female to HN Female  1.60 [40.6] <i>Straight</i>	<b>TRU-7769</b>
QDS Female to N Female  1.50 [38.2] <i>Panel</i>	<b>TRU-5475</b>	QDS Female to C Female  2.01 [51.0] MOUNTING HOLE DIMENSIONS ↑ .76 [19.3] ↓ <i>Bulkhead</i>	<b>TRU-8617</b>
QDS Female to N Female  1.45 [36.8] <i>Panel</i>	<b>TRU-3254</b>	QDS Female to HN Female  1.60 [40.6] <i>Panel</i>	<b>TRU-3963</b>

<i>In-Series</i>	<i>Model</i>	<i>Model</i>	<i>Model</i>	<i>Model</i>
Female  1.71 [43.3] <i>Straight Bulkhead</i>	<b>TRU-0417</b>	Female  1.71 [43.3] <i>Straight Panel</i>	<b>TRU-1034</b>	Male to Female  1.46 [37.2] 1.06 [27.0] <i>Right Angle</i>
Male to Female to Female  1.71 [43.3] <i>Tee-Style</i>	<b>TRU-0425</b>			



	Cable Type	Connections	Model
 <p>XX Feet</p> <p><i>Straight to Straight Cable Assembly</i></p>	RG-217/U	QDS Male to QDS Male	<b>TRU-8016-XX</b>
	RG-393/U	QDS Male to QDS Male	TRU-8626-XX
 <p>XX Feet</p> <p><i>Right Angle to Straight Cable Assembly</i></p>	RG-217/U	QDS R/A Male to QDS Male	<b>TRU-6919-XX</b>
	RG-393/U	QDS R/A Male to QDS Male	TRU-8627-XX
 <p>XX Feet</p> <p><i>Right Angle to Right Angle Cable Assembly</i></p>	RG-217/U	QDS R/A Male to QDS R/A Male	<b>TRU-8061-XX</b>
	RG-393/U	QDS R/A Male to QDS R/A Male	TRU-8628-XX
 <p>XX Inches</p> <p>BEAD CHAIN</p> <p>ø.144 [3.7] HOLE</p> <p>1.00 [25.4]</p> <p>.81 [20.6]</p>		Cap (Male)	<b>TRU-3124-XX</b>
 <p>XX Inches</p> <p>BEAD CHAIN</p> <p>ø.144 [3.7] HOLE</p> <p>1.00 [25.4]</p> <p>.75 [19.0]</p>		Cap (Female)	<b>TRU-3125-XX</b>